

# ATOMIK 215 PTS

High thickness polypropylene tool case



## General features

- 2 metal lid safety support stays
- 2 metal locks with keys
- 3 metal hinges for maximum strength
- bottom area with adjustable/removable dividers
- ergonomic handle, rubber coated grip
- address label
- document area
- can accommodate up to 3 tool pallets

## Internal Configuration

- 1 lid tool pallet with FLEXI POUCHES™ on two sides
- 1 bottom tool pallet with FLEXI POUCHES™ on one side

## Versions

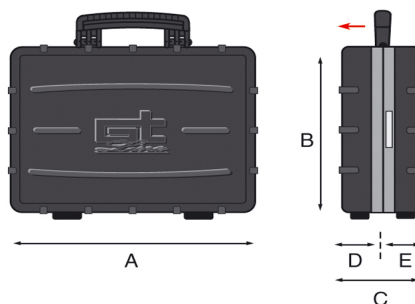
- ATOMIK 215 PEL
- ATOMIK 215 PSS
- ATOMIK 215 PTS
- ATOMIK WH PEL
- ATOMIK WH PSS
- ATOMIK WH PTS

## EAN

8024482015651



Technical features	A	B	C	D	E
mm internal dimensions	465	352	215	95	120
	Weight Kg 5,20				
inc internal dimensions	18 5/16	13 7/8	8 7/16	3 3/4	4 3/4
	Weight lbs 11.46				



## **ATOMIK 215 PTS**

High thickness polypropylene tool case



Technologically advanced, injection moulded, high thickness Polypropylene tool case. This material makes the case extremely resistant against chemical corrosion, shock, high and low temperature. The injection technique ensures constant material thickness, even in the corners.

# Accessories

ATOMIK 215 PTS



PAN ATOMIK



LOCKATOMIK



FOAM ATOMIK



LOCK BELT



WL01



WL02



WL03



WL04



WL05



UNIVERS.TROLLEY